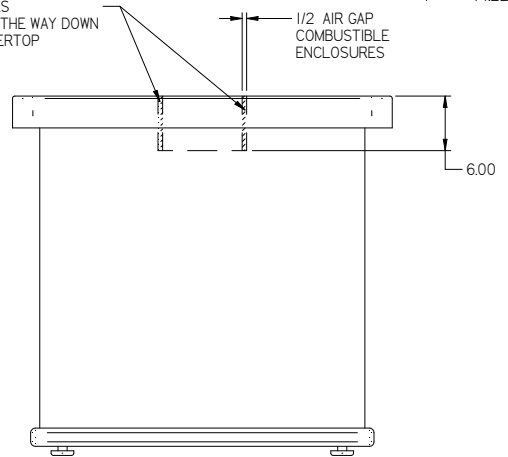


COMBUSTIBLE ENCLOSURES MAINTAIN 1/2" AIR GAP ALL THE WAY DOWN (ALL SIDES) BELOW COUNTERTOP



3280 DROP-IN